

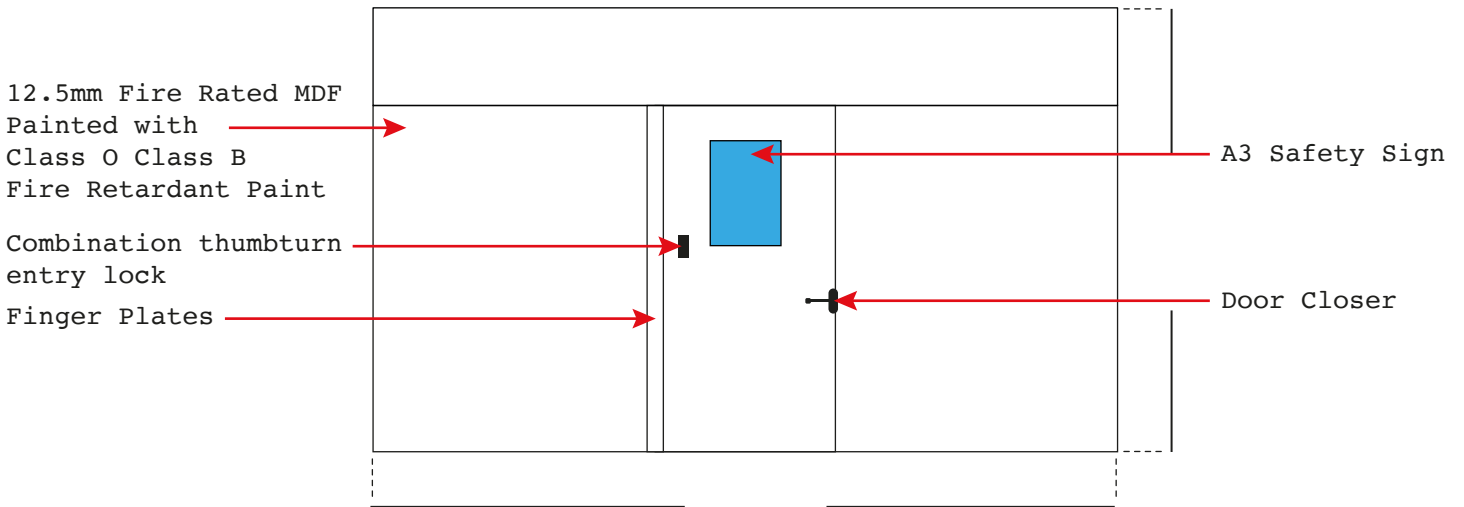
CLASS O

CLASS B

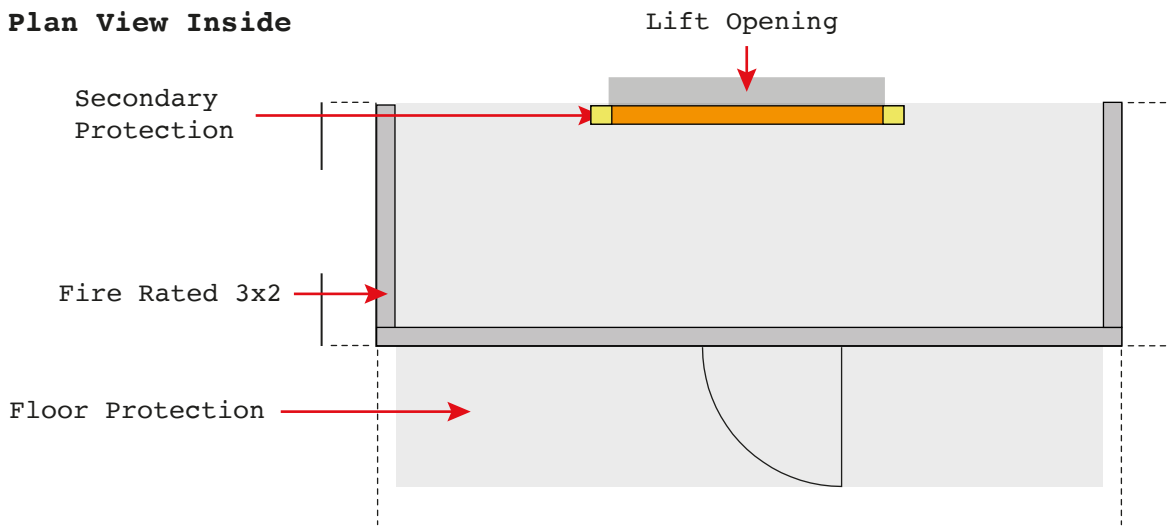
HOARDINGS

BREAKDOWN

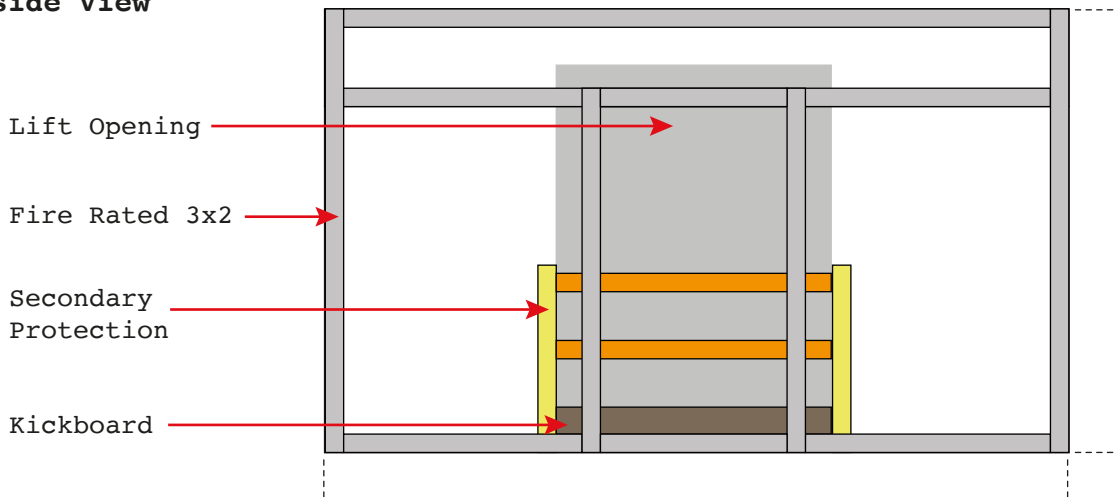
Front View



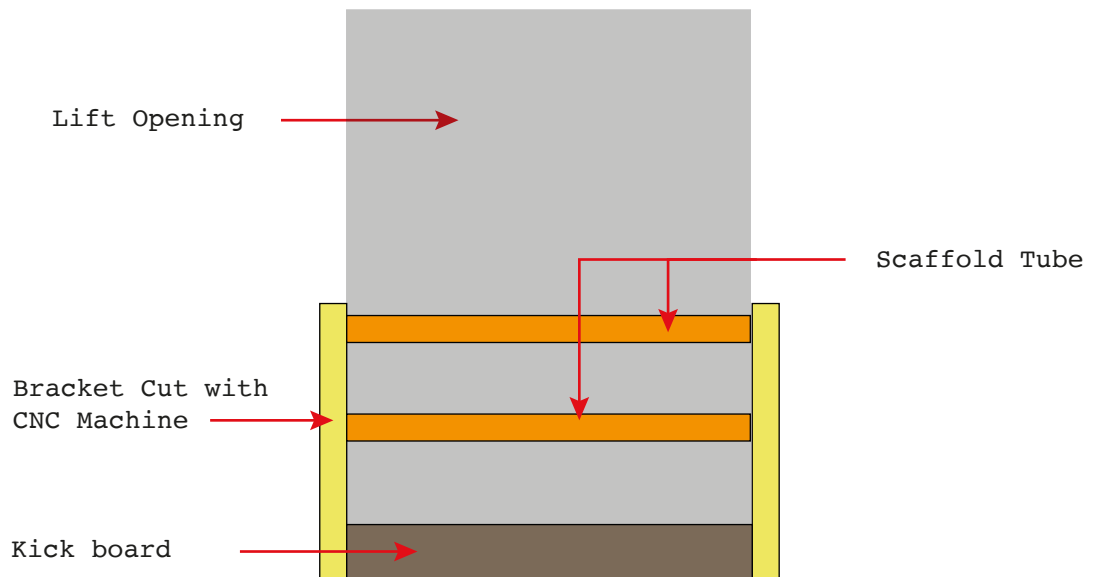
Plan View Inside



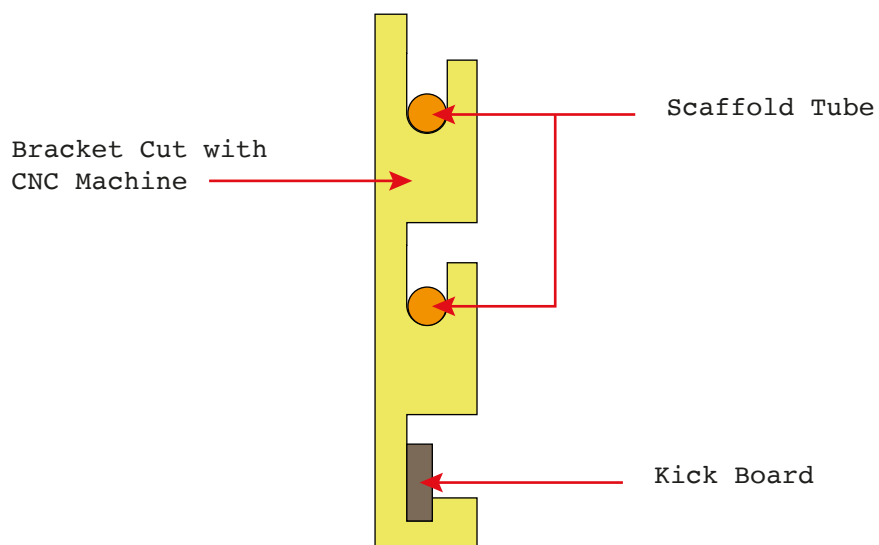
Inside View



Secondary Protection



Side View





BRITISH COATINGS FEDERATION



Protecting The Built Environment

Certificate of Supply

9, Bofors Park, Artillery Road,
Yeovil, Somerset. BA22 8YH UK

+44 (0)1935-414012

info@acslimited.co.uk

www.acslimited.co.uk

CERTIFICATE NUMBER: [REDACTED]

CUSTOMER: PRNS Building Services Ltd

ADDRESS: Unit 15 - 16, Wylam Road
Liverpool
Merseyside
L13 4BF

Has purchased the following quantities of product(s):

PRODUCT S92/FR/P FIRE RETARDANT COATING PACK 1 – CLEAR	2.5lt
PRODUCT S92/FR/P FIRE RETARDANT COATING PACK 2 – CLEAR	2.5lt

PROPERTY AT WHICH THE PRODUCT WAS USED:

MDF and softwood panelling at:
Westholme Court
Bidford Road
Bidford-on-Avon
Warwickshire
B50 4AL

We can confirm that the above purchased quantities, will, when applied correctly to, untreated, interior MDF panelling and softwood framing of nominal 12mm thickness, in accordance with Specification Reference: 5065/1, offer resistance to fire to BS476: Part 7: 1987 and BS476: Part 6: 1989 to UK Building Regulations (as amended) Class 0&1 and/or Euroclass B/s1/d0 (EN13501). The quantity of products purchased will impart fire resistance to an area no greater than 25.0m².

CERTIFICATE REFERENCES:

BTTG 27919/113/D – Test on 20mm softwood to BS476: Part 6: 1989 – Pass (i) 6.61. BTTG 27919/113/A – Test on 20mm softwood to BS476: Part 7: 1987 – Pass. BTTG 27061/1/97/A – Test on 12mm chipboard coated with polyurethane varnish to BS476: Part 6: 1989 – Pass (i) 8.19. BTTG 27061/1/97 – Test on 12mm chipboard coated with polyurethane varnish to BS476: Part 7: 1987 – Pass. BSI Global 252228 – Test on 5mm plywood to EN13823 and EN11925-2 – B/s2/d0 (*).-BTTG 27/02402/11/11 –Test on 25mm plywood to EN13823 and EN11925 – B/S2/d0.- BTTG 27/00910/03/07 – Test on 12mm MDF with 2 coats of PU topcoat to BS476: Parts 6&7 – Pass (i) 11.00. TNO006.55494/01.01 - EN13501 Parts EN13823: 2002 (SBI). EN11925-2: 2002 Ignitability Test. Classification B/s1/d0 (12mm MDF and particleboard)

Issue Date: [REDACTED]
Issuing Authority: [REDACTED]
Issued To: [REDACTED]



Once completed retain 1 copy for customer record and return the second complete certificate to ACS at the above address.
Please note that it is an offence under UK law to complete this document without using the products specified or knowingly using them incorrectly